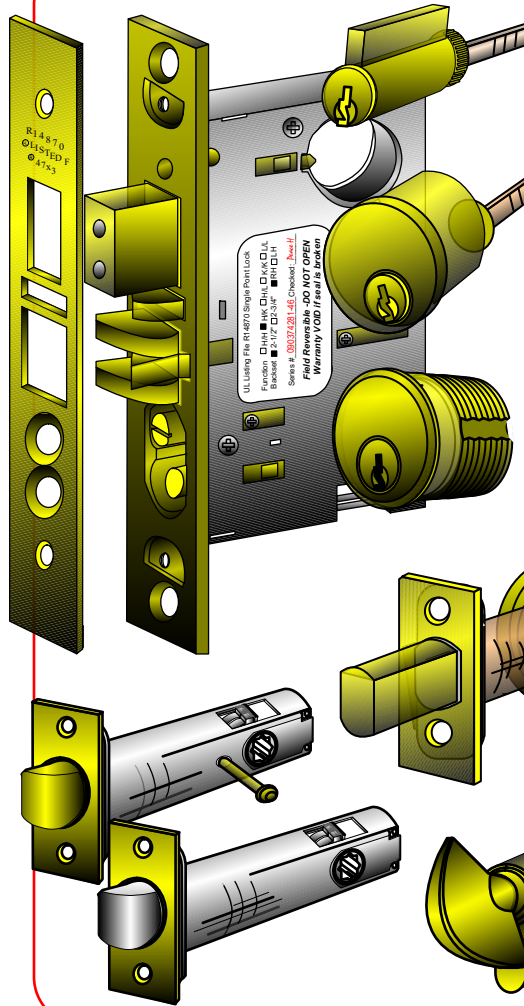


# baton®

Security Products since

Catalogue  
2016.10  
Decorative  
Door  
Hardware



## Part 7 of 7 - Spindle, Pin Kit & In-house Services

- N6S 7.3mm Spindles & Dummy Brackets -----> page X01
- N8S, N8T 8mm Spindles, Bracket and Hub Sleeve -----> page X02
- Pin Kit ----- page X03,X04
- In-house Keying Services --> X05

**Baton Security Products**  
11521 Salinaz Drive,  
Garden Grove,  
CA 92843 USA

**Tel: (714) 590 6969**  
**Fax:(714) 590 6960**

**USA / Canada toll free**  
**Tel : (877) 228 6699**  
**Fax: (866) 228 6699**

Tooling, manufacturing as well as purchasing stock items are additional benefits of doing business with Baton.

[www.batonlockusa.com](http://www.batonlockusa.com) [www.batonhardware.com](http://www.batonhardware.com)

Email : [Sales@batonlockusa.com](mailto:Sales@batonlockusa.com)

Dear Clients:

It is our pleasure to present for your reference the latest Catalogue and Price List for the decorative door hardware.

Baton has accumulated the experience in the manufacturing and distribution of the security locking devices and related hardware since 1973. Since then, we have consistently provided clients with a wide range of high quality locking devices along with the edge necessary in today's security industry.

At Baton, our goal is to provide you with the highest quality not only in security products but also in customer service. To assist you with your product needs, our Customer Services Department is open from 8:00 AM until 4:30 PM Pacific Time, Monday through Friday.

The following pages show the product lines we constantly carry in our warehouse located at Garden Grove, California. Nevertheless, tooling, manufacturing as well as purchasing stock items are value added benefits of doing business with us. Your complete satisfaction is our goal. Please call our Customer Service Representatives at 1-877-baton99 (228 6699) and let us know how we can best serve you. Should you have any other needs regarding locking devices, please call our CSR at the following numbers:

<p>Toll free Tel : 1-877 - 228 6699          Fax: 1-866 - 228 6699</p>
<ol style="list-style-type: none"> <li>1. Mortise Door Lock, Low Profile Deadbolts, Tubular Latches and components</li> <li>2. European Profile Cylinders, Rim Cylinders, Key in knob and Mortise Cylinders</li> <li>3. Decorative Hardware</li> <li>4. Special locks for Payphone, Casino, Gaming and Vending Industries.</li> </ol>

<p>Toll free Tel : 1-800 - 395 8880          Fax: 1-888 - 395 8880</p>
<ol style="list-style-type: none"> <li>1. High security locks and devices of all kinds for Vending, Laundry, Casino and Video Gaming Industries</li> <li>2. Padlocks - Brass, Laminated steel, Hardened steel and Stainless steel for Coin-Op Industries and general public</li> <li>3. Do-it-yourselfes general hardware</li> </ol>

Sincerely,

Peace Hsu  
 President

## Terms and Freight Policy -

All prices are based on FOB our warehouse. Net 30 days can be arranged upon approval on open account others will be C.O.D. or prepaid. Any past due account is subject to a financial charge at 1.5% on unpaid balance billed monthly. No further shipment will be honored until account is brought back to current. Service charges will apply to all the returned checks. Unless you specify otherwise, will use a carrier and route of our choice. Claim for loss or damage in transit should be made by you against the carrier. All goods are shipped at the customers risk; our responsibility ceases upon delivery in good order to the carrier.

## Receipt and Return Goods Policy -

Any discrepancy regarding the shipment must be claimed within five(5) days after merchandise received. Any return item should be received within 30 days of invoice date. A "RGA" number must be obtained from our CSR Department prior to the merchandise returned. The returned goods must be in original packaging and salable condition. There will be a 25% restocking charge and freight on merchandise returned or refused for reasons other than defect or incorrect shipment. No special or custom made order can be returned other than factory defect.

## Orders and Cancellations -

Order and/or cancellations will not be processed without written confirmation from customer. Any order shipped before written request of cancellation or change is received will incur handling charges as stated above. Special orders and custom made items are not cancelable after a period of 3 days from date of order. Partial orders shall be accepted by the customer and paid for at the contract prices and terms. Order received by Baton constitute acceptance of terms outlined in this document. Baton is not responsible for any loss or damage due to delays or extended delivery dates of goods.

## Limited Warranty -

Baton warrants that its products will be free from defects in materials and workmanship (excluding oxidation or discoloration) for a period of one year from the date of sales to the user. Our only obligation will be to replace the defective product or parts upon inspection, together with proof of purchase from one of our agents dated within the warranty period. **We assume no liability for any labor charges regarding the removal or reinstallation of the products; nor will we cover any freight, postage, traveling or handling expense relative to the product. Damage caused by accident, misuse, abuse or improper installation are not covered by this warranty. Except as expressly stated herein, there is no warranty, whether expressed or implied, provided by Baton. No other person has authority to assume any obligation or liability in addition to this warranty.**

## Validity and Special Note -

This catalogue with Price List enclosed is good for six (6) months from the date issued and supersedes all previous catalogues and Price Lists. Baton is not responsible for any typographic errors or errors in indication.

# Index by Page

Page	Contentss	Page	Contentss
01	About us	L01	LT245KS / 245MB Pass Latch & Mortise Bolt
02	Sales Policy	L02	LT345KE / 367KE (UL) Entrance Latch
03	Index - by page	L03	LT483 / 486 Hookbolt Latch
04	Index - by product category	L04	LT583 / 586 Privacy Latch/Knob 28 degree
A01~A02	Series "A" Mortise Lock Case	L05	LT595KV Privacy Latch/Knob 5", Faceplate
A03~A07	Function Chart - Mortise Lock Case "A"	L06	LT673/676 Pass Latch, small facebore
A08	Mortise Lock Case - Electrified	L07	LT683 /686 Passage & Privcy Latch
A09	Mortise Lock Case - Hold-back feture	L08	LT783/786/796 Passage & Privacy Latch
A10	Faceplate for "A" Mortise Lock Case	L09	LT843 / 846 Pass Latch, through-bolting
A11	Strikes for "A" Mortise Lock Case	L10	LT880 / 883 / 886 Privacy Latch, 28 degree
A12	Ordering guide for "A" Mortise Lock Case	L11	LT245/780/783/786 Mortise Bolt
A13	A578 Pocket Lock Case, Strike Block	L12	Standard & extended T + Full-lip Strike
A14	Function Chart - A578	L13	Combo Faceplate + Strike
A15	TA10 Trim for A578 Pocket Lock	L14	Stabilizer + Power Pack
A16	Roller Latch Lock Case with Privacy	L15	LT-RA281 Rosette Adapter
A17~A18	Barn / Pocket Lock Case	L16	Transfer Unit + Tail Piece
A19	A775 Deadlock, Hooklock Case & Strike	T01~T02	Trim/Lever sets order guide
A20	AC26, 29 Bevel-Head Mortise Cylinder	T03	TA30 Trim
A21	AC30, 31 Flat-Head Mortise Cylinder	T04	TA40 Trim
A22	Dummy Cyl, Collar & Padlock	T05	TA50 Trim
A23~A24	Installation menu 'A' Mortise Lock	T06	TA60 Trim
D01	Deadbolt Assemblage - modern	T07	TA70 Trim
D02	Deadbolt Assemblage - classic	T08	TA80 Trim
D03	Trim rings - modern and classic	T09	TA91 / 92 Trim
D04	Faceplate, Strikes for Deadbolt Latch	T10	TA95 / 96 Trim
D05	Deadbolt Latch- D400-DA, DB	T11	Memo
D06	Deadbolt Latch- D400-DC, DF	T12	TE- G / H Trim
D07	Deadbolt Latch - D400-DH & custom made	T13	TE- U / V / X Trim -1
D08	Deadbolt/Knob Cylinder and D451P assemblage	T14	TE- U / V / X Trim -2
D09	Backup Plate & Accessories for Deadbolt Cyl	T15	TF- B / D Trim - 1
D10	D530, 550 Interior Mortise Lock Case	T16	TF- B / D Trim - 2
D11	D608, 613 Interior Mortise Lock Case	T17	TF- E Trim
D12	D827 Lockset & Interconnection Mechanism	T18	TF- G / H Trim
E01~E02	E600 E700 E900 Euro Mortise Lock Case	T19	TL Lever -1
E03	E207-23 E308-25,35,40,50 Euro M Lock,narrow	T20	TL Lever -2
E04	E240-40, E250-40 Hook & Pocket Lock	T21	TX- KC / KM Knob set
E05~E06	E260-55 Euro Pocket Lock set	T22	TX- LJ Lever set
E07~E08	F408 413 518 Euro DPN Mortise Lock Case	T23	TX- LK Lever set
E09~E10	G300 Euro Mortise Lock Case	T24	TX- T Turn set
E11~E13	SN Mortise Lock K500 K700	X01~X02	Spindle and Dummy Bracket
E14	EC60 EC61 EC62 EC72 Euro Profile Cylinder	X03	Rekey Kit, Key Blanks
E15	Custom length and 2-tone Euro Profile Cyl	X04	Rekey Kit - Dimple
E16	Cylinder Converter & Accessories	X05	In-house Keying service guide
E17~E18	Euro Cylinder Rosette	X06	Inch vs. mm chart
E19~E22	Service Menus & Ordering Guide-E locks		

## Index - by product Category

Products	Pages
<b>Cylinders &amp; Related Accessories</b>	
American style	
Deadbolt Cylinders, single/double	D08, D09
Backup plate & Tail piece	D09
Bolting screws & extension Couplers	D09
Key in Knob Cylinder	D08
Lock Block - for hotel safe	Q2
Mortise cylinders, Key & T Turn	
Beveled head style	A20
Flat head styles	A21
Dummy cyl & Security Collars	A22
Padlock	A22
Euro Profile cylinders	
Single/double & Converter	E14~E16
Euro Cylinder Rosette	E17, E18
Rekeying pin kits	X03, X04
In-house keying services	X05
<b>Deadbolt, Deadbolt Latch &amp; Accessories</b>	
Deadbolt Assemblage	
Low profile, Modern	D01
Low profile, Classic	D02
Accessories	
Adopter & Trim rings	D03
Bolting screws,	D05
Cylinder + Latch + Strike package	D04
Deadbolt latch, 2", 2-3/8", 2-3/4"	D07
Deadbolt latch, extended backset	D09
Deadbolt Latch, 2-3/8" & 2-3/4"	
adjustable, UL 3 hours fire rated	D08
Dust Box	D06
Interior Mortise Lock Case 1-3/16", 2"	D10, D11
Security strike	D06
Tail piece -single, double and extended	D05
<b>Latch/Tubular, Mortise Bolt &amp; Accessories</b>	
Entrance Latch	L02
Hockbolt Latch 2-3/8", 2-3/4"	L03
Tubular Latch	
1-3/4", 2", 2-3/8", 2-3/4", 5"	L02~L10
Extended backset custom latch	L04~L10
Mortise bolt	
1-3/4", 2", 2-3/8", 2-3/4", custom made	L11
Accessories	
Dust box	L12
Emergency Release Key	L12
Faceplate, Strike - standard & combo	L05,L12,L13
Thumb Turn set for Mortise Bolt	T24
Transfer Unit and Thumb Piece	T24
<b>Mortise Deadlock</b>	
Mortise Deadlock/Hooklock A775 2-3/4"	A19
Mortise Deadlock A500,600,700,900	A03~A07
Euro Mortise Hock Deadlock E240	E04

Products	Pages
<b>Mortise Lock Case &amp; Accessories</b>	
American Classic - (use w/Mortise Cyl)	
Mortise lock cases "A"	
2", 2-1/2", 2-3/4", 3-1/2" all functions	A01~A12
Roller Latch with Privacy	A16
Mortise lock case - Barn door lock	A17, A18
Mortise lock case - Electrified	A08
Mortise lock - Holdback function	A09
Faceplate	A10
Strike, Extended Strike & Dust box	A11
American interior - Mortise lock cases "D"	D10, D11
Euro Style - use with Euro Profile Cyl	
Mortise lock "E" (85mm C/C)	
2-3/8", 2-3/4", 3-15/16" all function	E01, E02
Narrow backset Mortise lock cases	E03
Mortise Hock Pock lock	E04~E06
Mortise lock "F" EN/DIN certified	E07
Mortise Auto lock "F" (72mm C/C)	E08
Mortise lock "G" (92mm C/C)	E09~E10
Mortise lock "K" (105mm C/C)	E11~E12
Store Front Hockbolt "Q"	Q01
Mortise lock - multi point "Q"	Q02
<b>Pocket, Barn Door Lock</b>	
Series A - 2" backset all function	A13~A15
Barn Door Lock	A17, A18
E240,E250 E260 Entrance, Privacy	E04, E06
<b>Store Front Lock</b>	
American style	
Swing, Hock & Latch Bolt	Q01
Lever Handle & Cylinder Ring	Q01
Euro style	
Hock Bolt	E03
<b>Trim, Lever &amp; Knob sets</b>	
D827 Lock sets	D12
TA Trim sets for 'A' mortise lock	T03~T10
TE Trim/Lever sets for 'E' mortise lock	T12~T14
TF Trim sets for 'F' mortise lock	T15~T18
TL Lever sets for 'LT' Latches	T19~T23
TX Knob sets for all Mortise	
Locks & Latches	T21
TX Stainless steel Lever sets for	
all Mortise locks & Latches	T22, T23
TX T Turns for Mortise Lock,	
Mortise Bolt & Latches	T24
<b>Other Accessories</b>	
Interconnect Mechanism	D12
Latfch/rosette stabilizer	L14
Power Pack	L14
Rosette Adapter	L15
Spindles - Dummy, Half, Solid & Swivel	X01, X02
Dummy Bracket	X01, X02
Thumb Piece	L16
Transfer Unit	L16

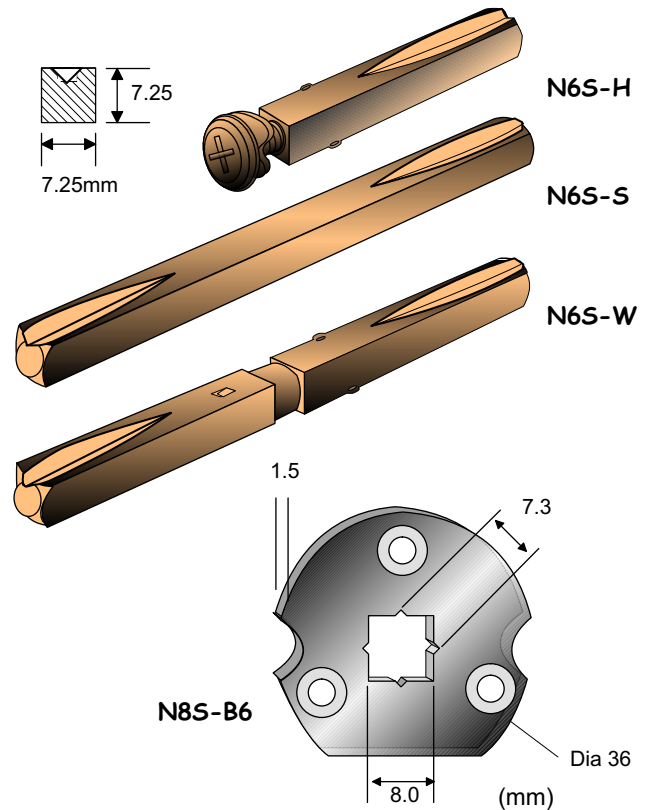
# Series 'N6S' Spindle and Dummy Adapter - 7.3mm

## Spindles

Baton's series 'N' Spindles are made of wrought steel for 7.3mm hub. Available with the following models:

- Half Spindle -  
for Grip Handle on one side with interior Knob/Lever trim (HL or HK).
- Solid Spindle -  
one piece construction, for Passage.
- Swivel Spindle -  
for Privacy and Entrance.

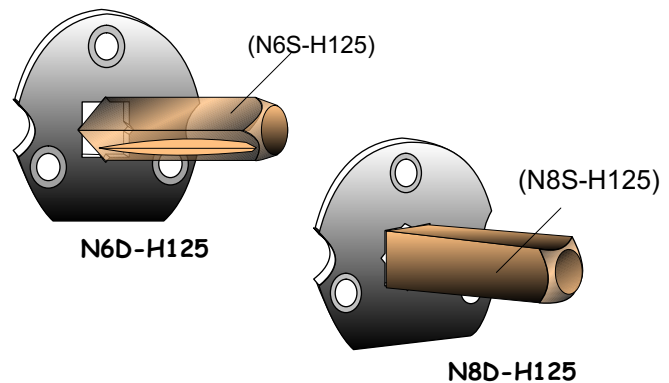
Stock No.	Description
N6S-H125	Dummy Spindle 1.25"
N6S-H275	Half Spindle 2.75"
N6S-S400	Solid Spindle 4"
N6S-S450	Solid Spindle 4.5"
N6S-S500	Solid Spindle 5"
N6S-W400	Swivel Spindle 4"
N6S-W450	Swivel Spindle 4.5"
N6S-W500	Swivel Spindle 5"



## Dummy Spindle & Bracket - for Dummy trim

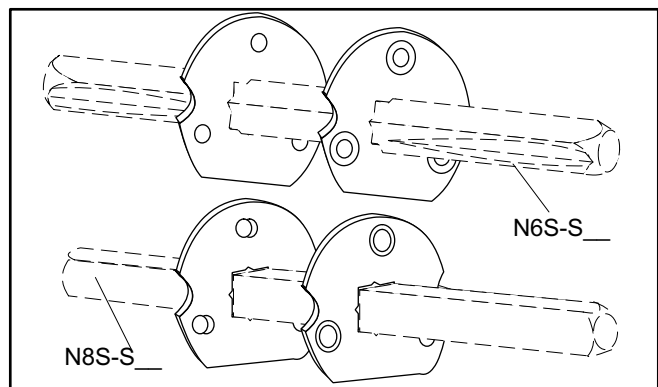
Stainless steel, with 7.3mm on diamond plus 8mm on square broaching, can be accommodated with both 7.3mm or 8.0mm spindles:

- a) Half Spindle for single side dummy trim
- b) Solid Spindle for double side dummy trim
- c) Swivel Spindle for one side dummy and other side active.



Furnished with 3/4" wood screws x 3

Stock No.	Description
N8S-B6	Spindle Bracket, for 7.3 & 8mm Spindles
N6D-H125	Dummy Spindle set 7.3 mm x 1.25"
N8D-H125	Dummy Spindle set 8mm x 1.25"



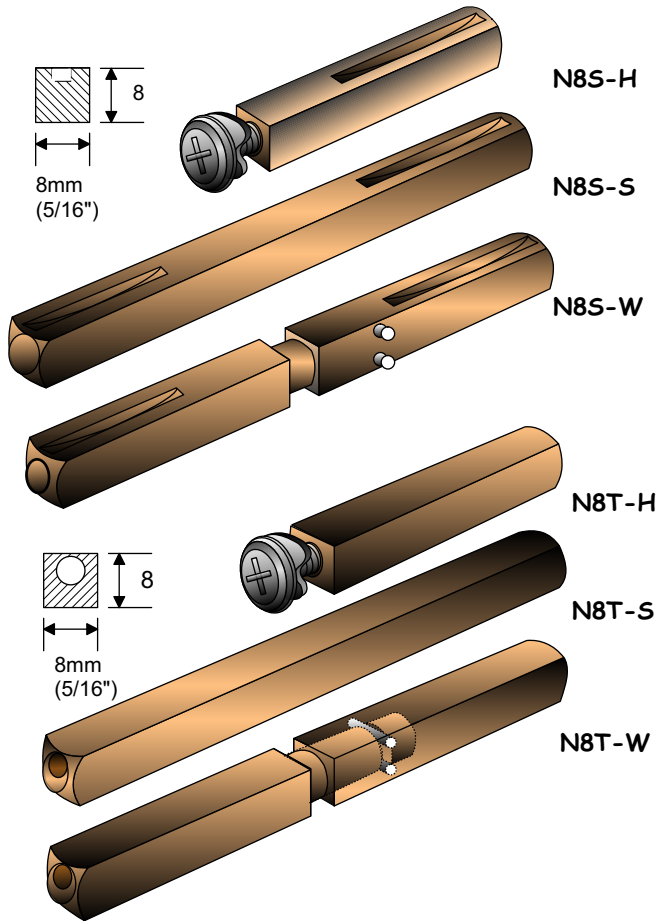
# Series 'N8' Spindle, Dummy Bracket Hub Sleeve - 8mm

## Spindles

Baton's series 'N' Spindles are made of wrought steel for 8mm hub. Two styles are available: 'NS' Spindles feature groove cut, facilitating the set screw of Knob/Lever mount without slipping. 'NT' Spindles feature a 7/16" off-center hole drilled to allow the pointed set screw to stick on to the spindle. Both styles are available with the following models:

- Half Spindle - for Grip Handle on one side with interior Knob/Lever trim (HL or HK).
- Solid Spindle - one piece construction, for Passage.
- Swivel Spindle - for Privacy and Entrance.

Stock No.	Description
N8S-H 275	Half Spindle 2.75"
N8S-S 400	Solid Spindle 4"
N8S-S 450	Solid Spindle 4.5"
N8S-S 500	Solid Spindle 5"
N8S-W 400	Swivel Spindle 4"
N8S-W 450	Swivel Spindle 4.5"
NS8-W 500	Swivel Spindle 5"
N8T-H 350	Half Spindle 3.5"
N8T-S 400	Solid Spindle 4"
N8T-S 437	Solid Spindle 4.375"
N8T-S 500	Solid Spindle 5"
N8T-S 700	Solid Spindle 7"
N8T-W 400	Swivel Spindle 4"
N8T-W 437	Swivel Spindle 4.375"
N8T-W 450	Swivel Spindle 4.5"
N8T-W 500	Swivel Spindle 5"
N8T-W 700	Swivel Spindle 7"



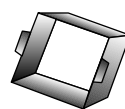
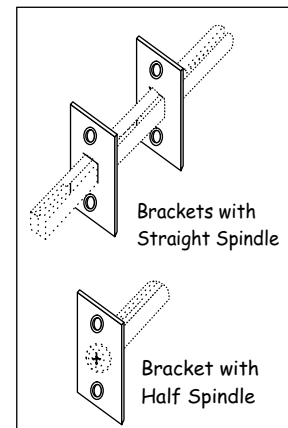
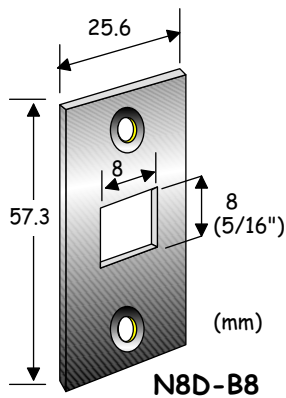
## Spindle Bracket- for Dummy trim

Stainless steel, can be accommodated with  
a) Half Spindle for single side dummy trim mount,  
b) Straight Spindle for double side dummy trim mount, or c) Swivel Spindle for one side dummy and other side active.

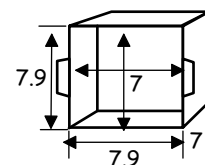
## Hub Sleeve 7x7mm

-for converting a mortise lock case or Tubular Latch to take a 7x7mm spindle from a regular 8mm Hub. For the split hub application, simply insert the Hub Sleeve from each side of the Hubs.

Stock No.	Description
N8D-B8	Spindle Bracket, w/2 screws
N8Z-H7	Hub Sleeve 7x7mm

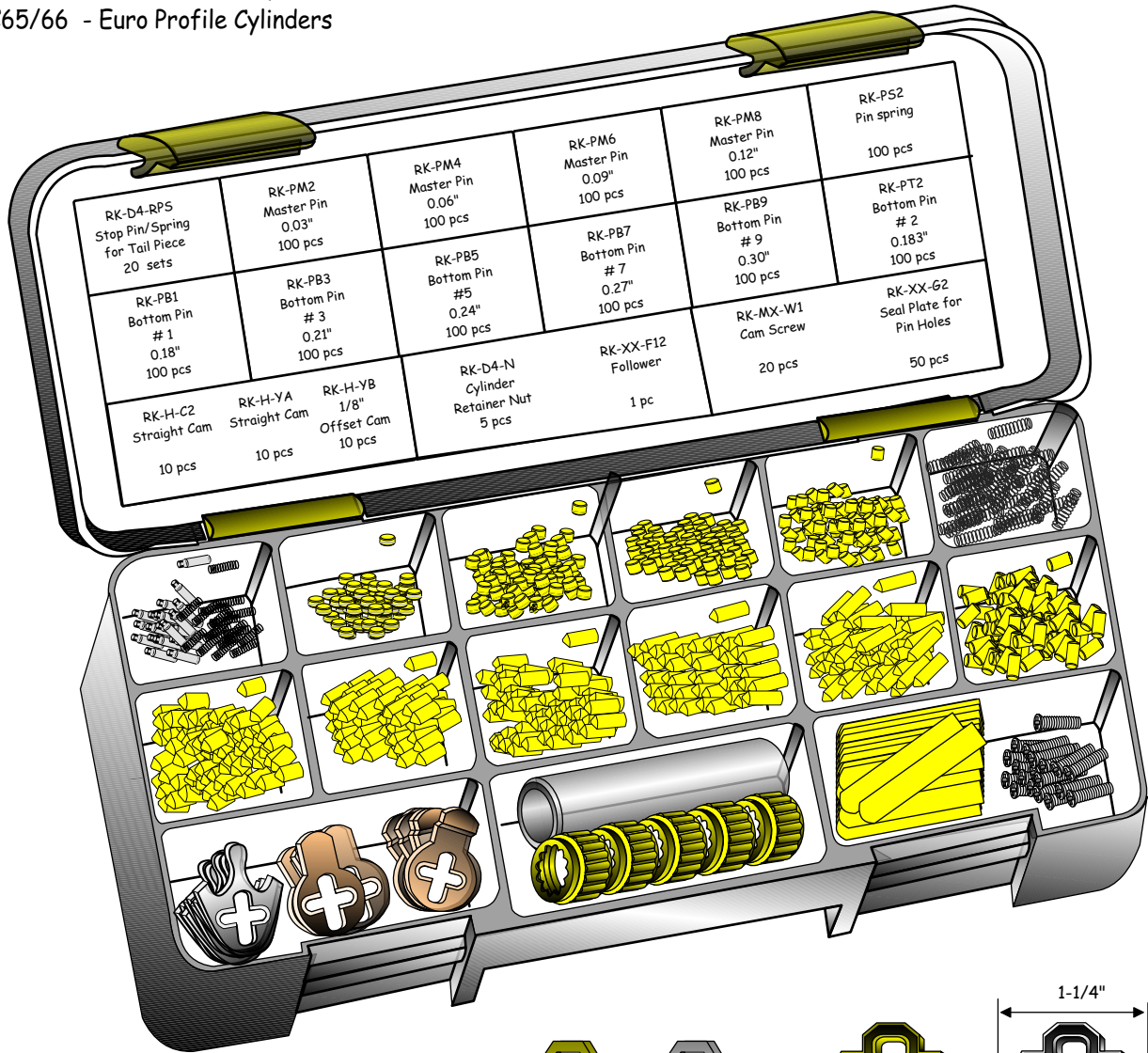


N8Z-H7



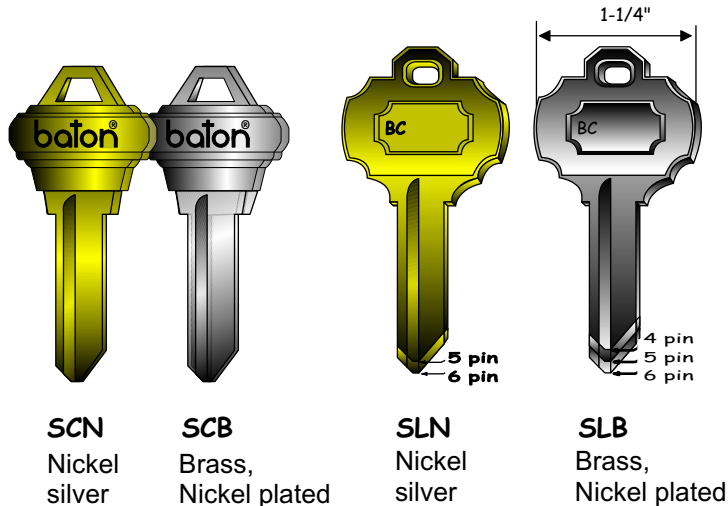
# Model RK-20 Rekeying Kit & SB/SL Key Blanks

This rekeying pin kit is designed for Baton cylinders that are stamped with 'BC' code or other compatible cylinders.  
 AC29/30/31 - Mortise Cylinders, D400-AK5/AK6 - Key in knob Cylinders  
 D400-AS/AD - Deadbolt Cylinders D421/422/461/462 - Deadbolts  
 EC65/66 - Euro Profile Cylinders



X03

Stock No.	Description
RK-20	Rekeying Pin Kit
RK-SCB-KB6	6 pin, brass/nickel plated
RK-SCN-KB6	6 pin, nickel silver
RK-SLB-KB4	4 pin, brass/nickel plated
RK-SLB-KB5	5 pin, brass/nickel plated
RK-SLB-KB6	6 pin, brass/nickel plated
RK-SLN-KB5	5 pin, nickel silver
RK-SLN-KB6	6 pin, nickel silver



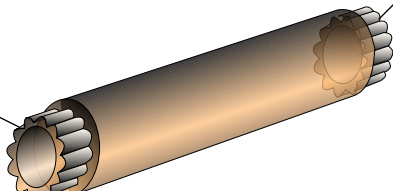


# Model RK-20D Rekeying Kit

This rekeying pin kit is designed for the Baton cylinder that is constructed with 2.5mm in diameter pins:  
 AC26 - Mortise Cylinders  
 EC-51/52 Euro Profile Cylinder  
 5310 - Lockblock/Hotel Safe Lock



X04

12 T.  14 T.  
 RK-D4-NR Retainer Remover - for D400 key-in-knob and deadbolt cylinders.



RK-F7-KB6  
Key blank

Stock No.	Description
RK-20D	Rekeying Pin Kit - dimple system
RK-F7-KB6	Key blank, f/5300 and AC26, nickel silver
RK-D4-NR	Retainer remover

# In-house Keying Services

Baton's series 'AC', 'D4' and 'EC' cylinders that are constructed with 'Schlage-C' keyway, can be keyed to Keyed Alike (KA), Master Keying (MK), Grand Master Keying (GMK) or Construction Keying (CK1, CK2). Please call our CSR for the details.

### KA - Keyed Alike - one key fits all

Cylinder can be keyed to work with one same key, No Master keying.

These cylinders can be keyed to the same system, KA, MK, GMK or CK

### MK - Master Keying

Each lock is operative with it's own key; the management has one key that operates all locks within the system

### CK - Construction Keying

Construction key - Level 1  
Voided after any of the Construction key Level 2, individual key, or Master key is operated

Construction key - Level 2  
Voids the construction key Level 1. Voided after the individual key or MK key is operated.

### GMK - Grand Master Keying

One GMK key operates two or more MK systems

X05

# Measurement Chart - Inch vs. MM

Inch		MM	Inch		MM	Inch		MM
1/16"	0.0625"	1.5875	1-1/16"	1.0625"	26.9875	2-1/16"	2.0625"	52.3875
1/8"	0.1250"	3.1750	1-1/8"	1.1250"	28.5750	2-1/8"	2.1250"	53.9750
3/16"	0.1875"	4.7625	1-3/16"	1.1875"	30.1625	2-3/16"	2.1875"	55.5625
1/4"	0.2500"	6.3500	1-1/4"	1.2500"	31.7500	2-1/4"	2.2500"	57.1500
5/16"	0.3125"	7.9375	1-5/16"	1.3125"	33.3375	2-5/16"	2.3125"	58.7375
3/8"	0.3750"	9.5250	1-3/8"	1.3750"	34.9250	2-3/8"	2.3750"	60.3250
7/16"	0.4375"	11.1125	1-7/16"	1.4375"	36.5125	2-7/16"	2.4375"	61.9125
1/2"	0.5000"	12.7000	1-1/2"	1.5000"	38.1000	2-1/2"	2.5000"	63.5000
9/16"	0.5625"	14.2875	1-9/16"	1.5625"	39.6875	2-9/16"	2.5625"	65.0875
5/8"	0.6250"	15.8750	1-5/8"	1.6250"	41.2750	2-5/8"	2.6250"	66.6750
11/16"	0.6875"	17.4625	1-11/16"	1.6875"	42.8625	2-11/16"	2.6875"	68.2625
3/4"	0.7500"	19.0500	1-3/4"	1.7500"	44.4500	2-3/4"	2.7500"	69.8500
13/16"	0.8125"	20.6375	1-13/16"	1.8125"	46.0375	2-13/16"	2.8125"	71.4375
7/8"	0.8750"	22.2250	1-7/8"	1.8750"	47.6250	2-7/8"	2.8750"	73.0250
15/16"	0.9375"	23.8125	1-15/16"	1.9375"	49.2125	2-15/16"	2.9375"	74.6125
1"	1.0000"	25.4000	2"	2.0000"	50.8000	3"	3.0000"	76.2000

Inch		MM	Inch		MM	Inch		MM
3-1/16"	3.0625"	77.7875	4-1/16"	4.0625"	103.1875	5-1/16"	5.0625"	128.5875
3-1/8"	3.1250"	79.3750	4-1/8"	4.1250"	104.7750	5-1/8"	5.1250"	130.1750
3-3/16"	3.1875"	80.9625	4-3/16"	4.1875"	106.3625	5-3/16"	5.1875"	131.7625
3-1/4"	3.2500"	82.5500	4-1/4"	4.2500"	107.9500	5-1/4"	5.2500"	133.3500
3-5/16"	3.3125"	84.1375	4-5/16"	4.3125"	109.5375	5-5/16"	5.3125"	134.9375
3-3/8"	3.3750"	85.7250	4-3/8"	4.3750"	111.1250	5-3/8"	5.3750"	136.5250
3-7/16"	3.4375"	87.3125	4-7/16"	4.4375"	112.7125	5-7/16"	5.4375"	138.1125
3-1/2"	3.5000"	88.9000	4-1/2"	4.5000"	114.3000	5-1/2"	5.5000"	139.7000
3-9/16"	3.5625"	90.4875	4-9/16"	4.5625"	115.8875	5-9/16"	5.5625"	141.2875
3-5/8"	3.6250"	92.0750	4-5/8"	4.6250"	117.4750	5-5/8"	5.6250"	142.8750
3-11/16"	3.6875"	93.6625	4-11/16"	4.6875"	119.0625	5-11/16"	5.6875"	144.4625
3-3/4"	3.7500"	95.2500	4-3/4"	4.7500"	120.6500	5-3/4"	5.7500"	146.0500
3-13/16"	3.8125"	96.8375	4-13/16"	4.8125"	122.2375	5-13/16"	5.8125"	147.6375
3-7/8"	3.8750"	98.4250	4-7/8"	4.8750"	123.8250	5-7/8"	5.8750"	149.2250
3-15/16"	3.9375"	100.0125	4-15/16"	4.9375"	125.4125	5-15/16"	5.9375"	150.8125
4"	4.0000"	101.6000	5"	5.0000"	127.0000	6"	6.0000"	152.4000